

You will be using your logical thinking skills to solve this puzzle.



Deduction Problem

Sammy owns three beautiful parrots, one of which is named Polly. All three can talk a blue streak, but not always the truth! Each parrot said one of the following three statements and only one of the three is true. Can you figure out which one is actually named Polly?

Parrot #1 said, "Parrot #2 is Polly."

Parrot #2 said, "I am Polly."

Parrot #3 said, "Parrot #1 is not Polly."

Solution on the next page

This puzzle encompasses visual components and spatial relationships.

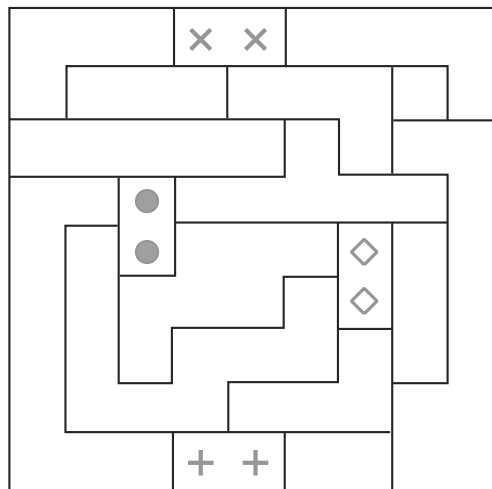


In the Abstract

Fill in each section with one of the four symbols so no sections containing the same symbol touch. Four sections are already complete.

Solution on the next page

● + × ◇

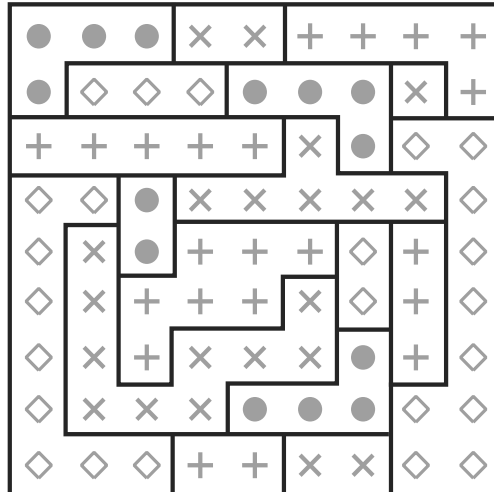


For all your favorite puzzles go to
PennyDellPuzzles.com

**DEDUCTION PROBLEM (Day 2)
SOLUTION**

Both parrot #1 and parrot #2 say that parrot #2 is Polly. Since only one parrot is telling the truth, these two aren't both telling the truth. They both are lying and parrot #2 isn't Polly. Parrot #3, then, is telling the truth, and said that parrot #1 isn't Polly. By elimination, parrot #3 is Polly.

**IN THE ABSTRACT (Day 2)
SOLUTION**



For all your favorite puzzles go to
PennyDellPuzzles.com